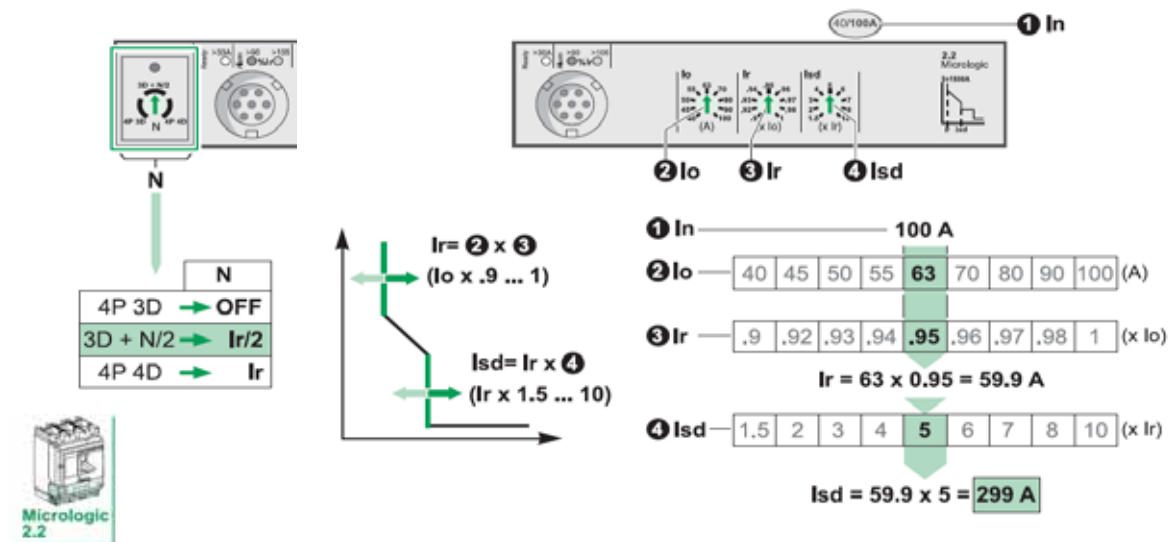


# Instellingen Compact NSX

## Elektronische beveiligingen Micrologic 2.2 en 2.2G



In = 40 A		Ir (fijn instelling)								
Io (grof instelling)		0.9	0.92	0.93	0.9	0.95	0.96	0.97	0.98	1
16		14.4	14.7	14.9	15.0	15.2	15.4	15.5	15.7	16.0
18		16.2	16.6	16.7	16.9	17.1	17.3	17.5	17.6	18.0
20		18.0	18.4	18.6	18.8	19.0	19.2	19.4	19.6	20.0
23		20.7	21.2	21.4	21.6	21.9	22.1	22.3	22.5	23.0
25		22.5	23.0	23.3	23.5	23.8	24.0	24.3	24.5	25.0
28		25.2	25.8	26.0	26.3	26.6	26.9	27.2	27.4	28.0
32		28.8	29.4	29.8	30.1	30.4	30.7	31.0	31.4	32.0
36		32.4	33.1	33.5	33.8	34.2	34.6	34.9	35.3	36.0
40		36.0	36.8	37.2	37.6	38.0	38.4	38.8	39.2	40.0

In = 100 A		Ir (fijn instelling)								
Io (grof instelling)		0.9	0.92	0.93	0.9	0.95	0.96	0.97	0.98	1
40		36.0	36.8	37.2	37.6	38.0	38.4	38.8	39.2	40.0
45		40.5	41.4	41.9	42.3	42.8	43.2	43.7	44.1	45.0
50		45.0	46.0	46.5	47.0	47.5	48.0	48.5	49.0	50.0
55		49.5	50.6	51.2	51.7	52.3	52.8	53.4	53.9	55.0
63		56.7	58.0	58.6	59.2	59.9	60.5	61.1	61.7	63.0
70		63.0	64.4	65.1	65.8	66.5	67.2	67.9	68.6	70.0
80		72.0	73.6	74.4	75.2	76.0	76.8	77.6	78.4	80.0
90		81.0	82.8	83.7	84.6	85.5	86.4	87.3	88.2	90.0
100		90.0	92.0	93.0	94.0	95.0	96.0	97.0	98.0	100.0

In = 160 A		Ir (fijn instelling)								
Io (grof instelling)		0.9	0.92	0.93	0.9	0.95	0.96	0.97	0.98	1
63		56.7	58.0	58.6	59.2	59.9	60.5	61.1	61.7	63.0
70		63.0	64.4	65.1	65.8	66.5	67.2	67.9	68.6	70.0
80		72.0	73.6	74.4	75.2	76.0	76.8	77.6	78.4	80.0
90		81.0	82.8	83.7	84.6	85.5	86.4	87.3	88.2	90.0
100		90.0	92.0	93.0	94.0	95.0	96.0	97.0	98.0	100.0
110		99.0	101.2	102.3	103.4	104.5	105.6	106.7	107.8	110.0
125		112.5	115.0	116.3	117.5	118.8	120.0	121.3	122.5	125.0
150		135.0	138.0	139.5	141.0	142.5	144.0	145.5	147.0	150.0
160		144.0	147.2	148.8	150.4	152.0	153.6	155.2	156.8	160.0

In = 250 A (NSX250)		Ir (fijn instelling)								
Io (grof instelling)		0.9	0.92	0.93	0.9	0.95	0.96	0.97	0.98	1
100		90	92	93	94	95	96	97	98	100
110		99	101	102	103	105	106	107	108	110
125		113	115	116	118	119	120	121	123	125
140		126	129	130	132	133	134	136	137	140
160		144	147	149	150	152	154	155	157	160
175		158	161	163	165	166	168	170	172	175
200		180	184	186	188	190	192	194	196	200
225		203	207	209	212	214	216	218	221	225
250		225	230	233	235	238	240	243	245	250